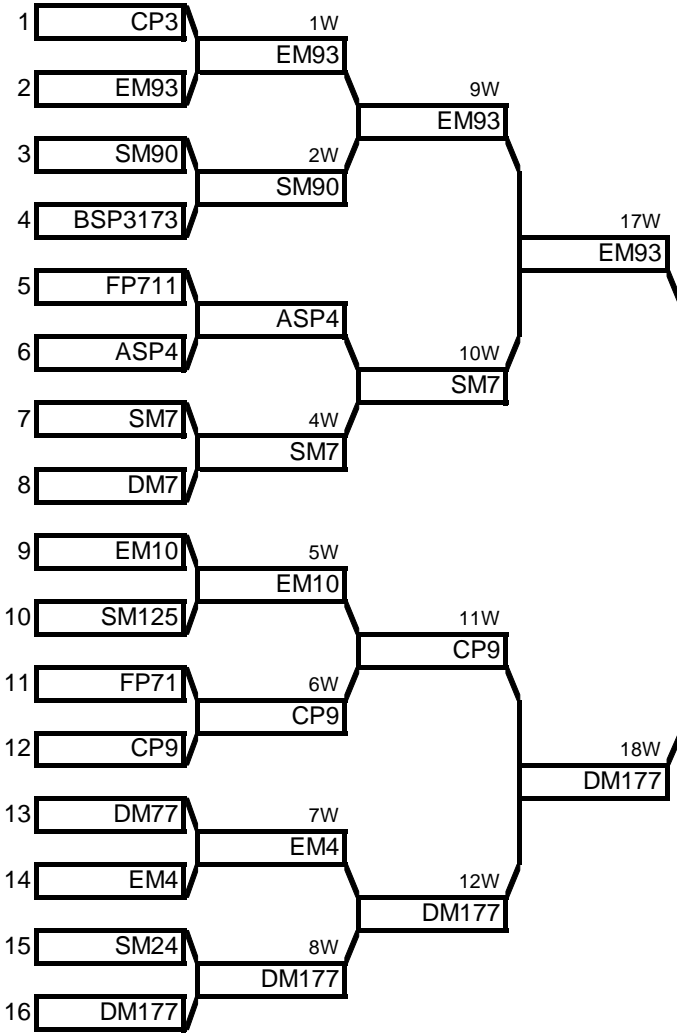


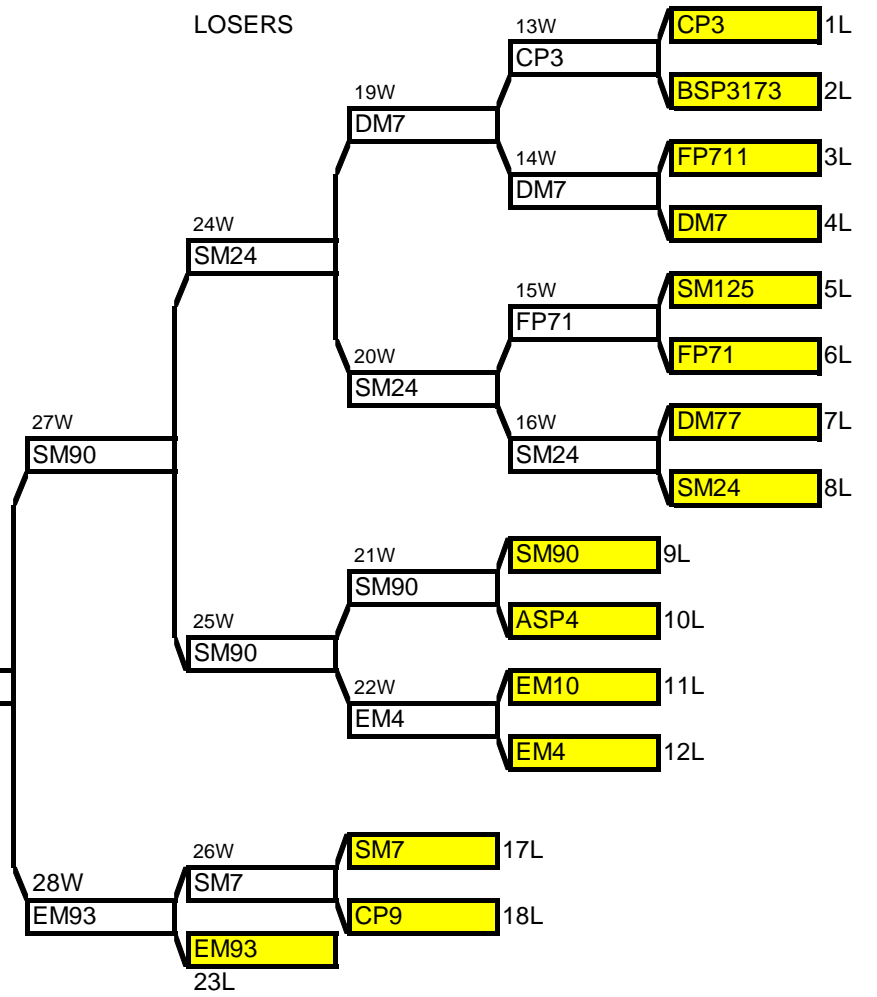
WINNERS

GROUP #
1

LOSERS



winner
DM177
(If only one
lose, must be
beat twice
in finale)



DO NOT MANUALLY ENTER VALUES INTO YELLOW CELLS